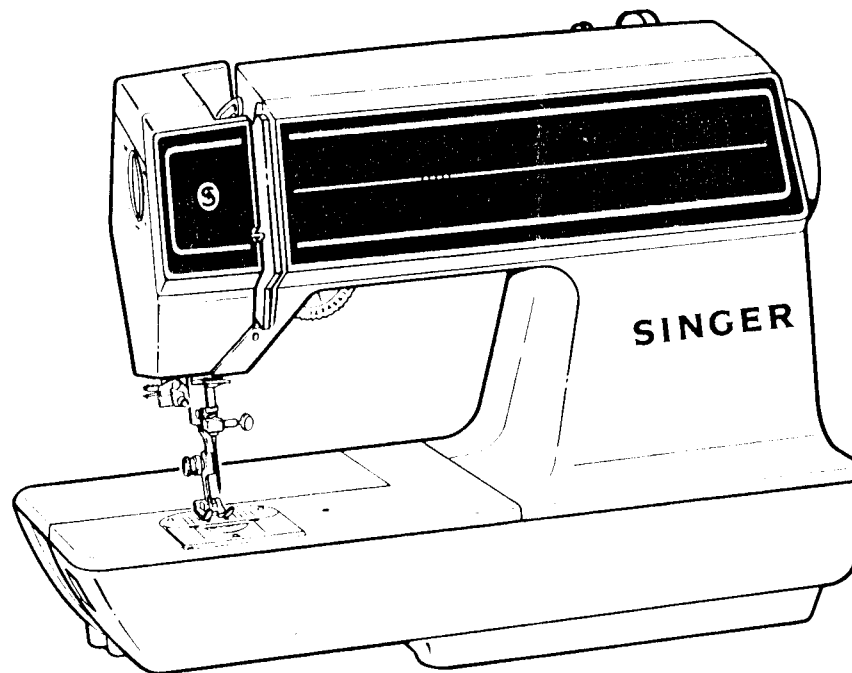


# **SINGER**

## **2100A**

# LIST OF PARTS FOR 2001A MACHINE



219200 plate  
S83648

From the library of: Diamond Needle Corp

THE SINGER COMPANY  
COPYRIGHT © 1978 THE SINGER COMPANY  
ALL RIGHTS RESERVED THROUGHOUT THE WORLD

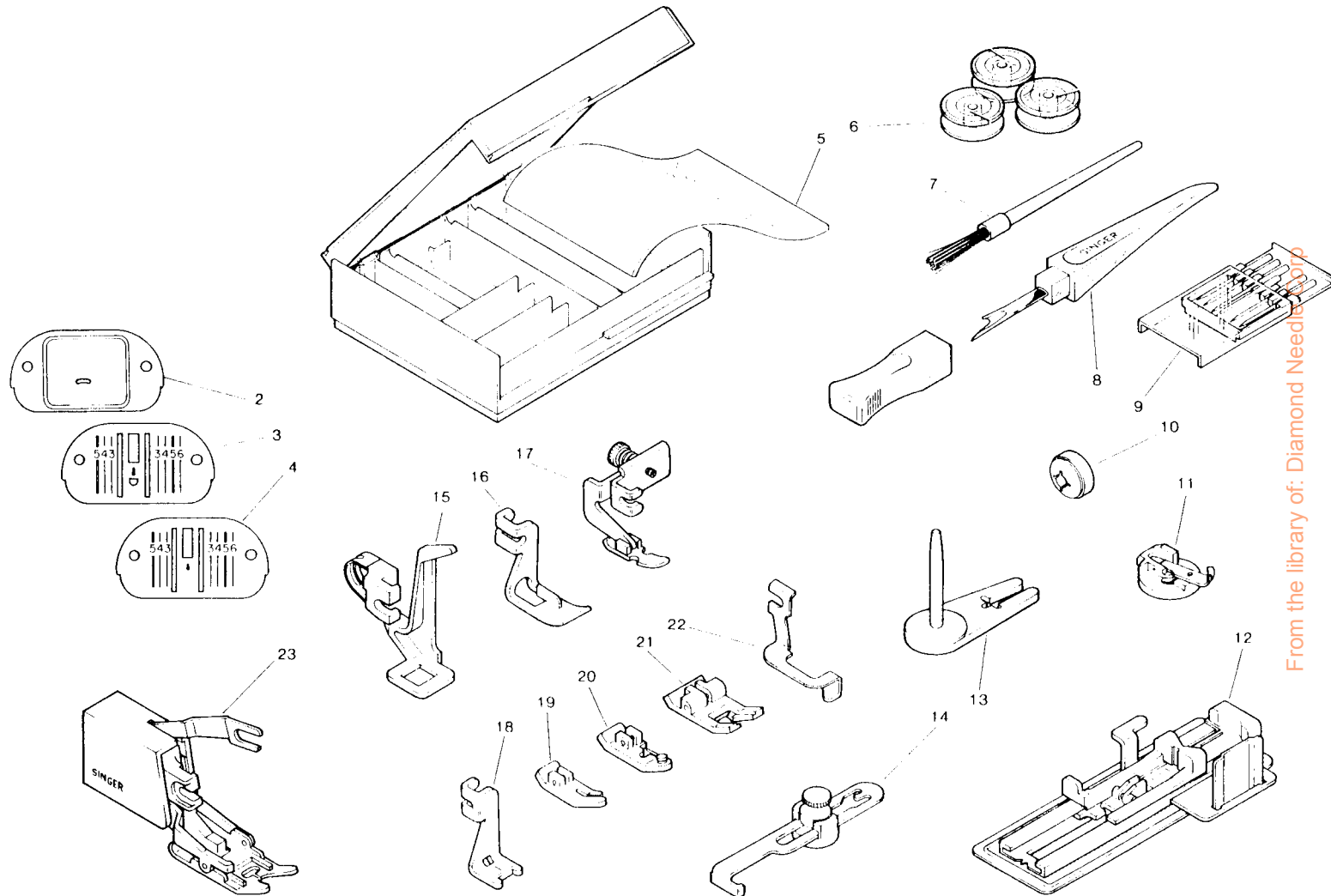


PAGE NO.	SUBASSEMBLY	SUBASSEMBLY CODE
4 & 5	ATTACHMENT SET	262
6 & 7	ELECTRONICS FOR COVERS AND ADD-ONS	6421
8 & 9	HOOK AND HOOK DRIVE	042
10 TO 13	HEAD END MODULE	601
14 & 15	TENSION MODULE	101
16 & 17	ELECTRONICS FOR BIGHT DRIVE LINEAR MOTOR	66
18 & 19	NEEDLE BAR DRIVE AND HAND WHEEL	591
20 TO 23	FEED DRIVE MECHANISM	053
24 & 25	ELECTRICAL EQUIPMENT (110-120 VOLTS)	6321
26 TO 31	ELECTRONICS FOR LOGIC ELECTRICS AND CONTROL	6

**NOTE:** SUBASSEMBLY CODE IS USED FOR COMPUTER INDEX ONLY AND SHOULD NOT BE USED FOR PARTS ORDERING.

From the library of: Diamond Needle Corp

ATTACHMENT SET — 262



From the library of: Diamond Needle Corp

## ATTACHMENT SET — 262

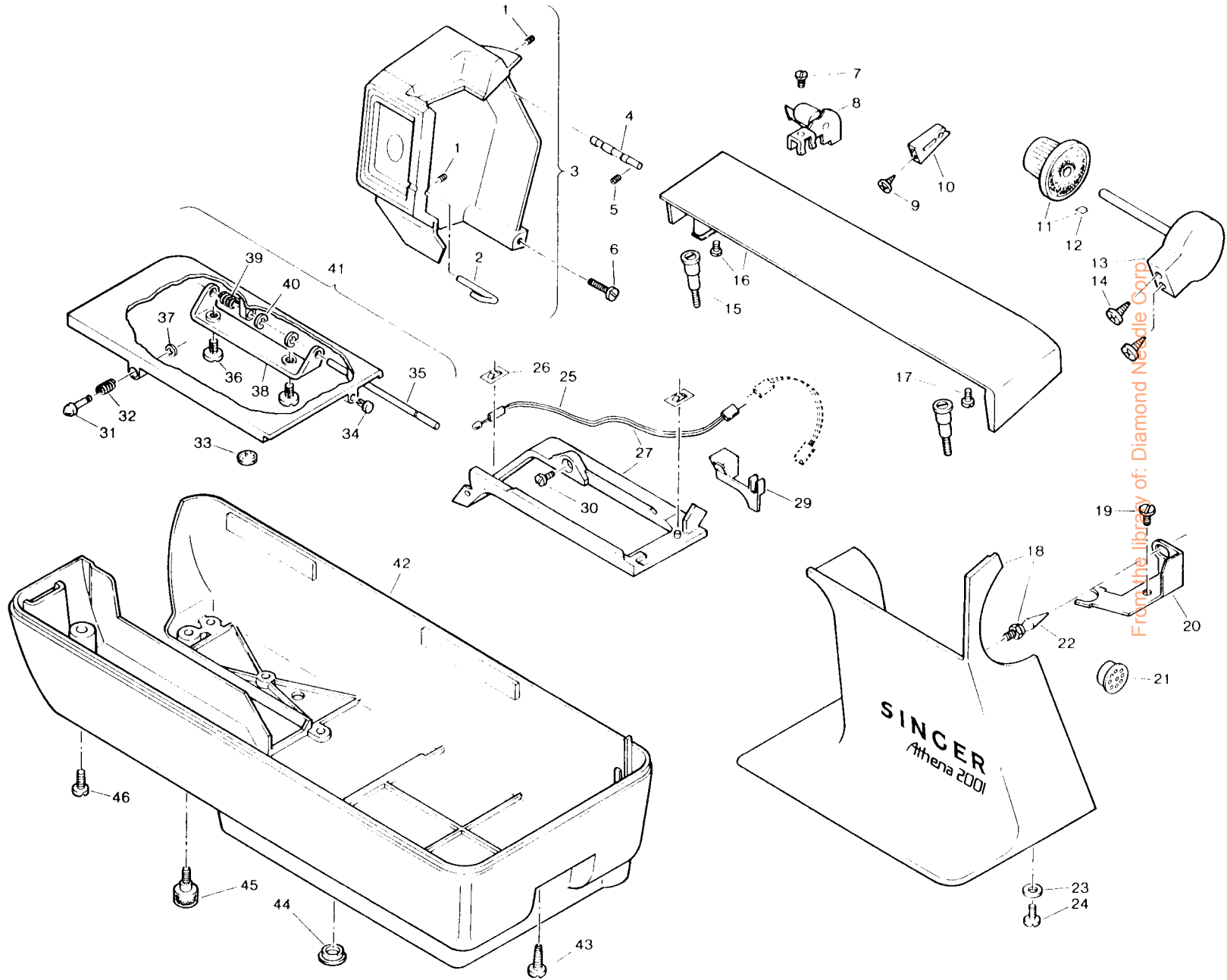
REF.	PART NO.	DESCRIPTION
02	381409	FEED COVER PLATE, FOR DARNING, EMBROIDERY & BUTTON SEWING (6 MM BIGHT).
03	381365	CHAIN STITCH ATTACHMENT THROAT PLATE (181841-900 MACHINED).
04	381372	THROAT PLATE FOR STRAIGHT SEWING.
05	381039	ATTACHMENT BOX INSERT (FOAM, PLASTIC).
06	181551	BOBBIN (PLASTIC).
07	501750	LINT BRUSH.
08	642616-001	SEAM RIPPER.
09	381251	NEEDLE PACK.
10	507664-454	ARM SPOOL PIN THREAD LEAD-OFF (SMALL, PLASTIC).
11	171438-451	CHAIN STITCH ATTACHMENT LOOP RETAINER INSERT COMPL..
12	421284-451	BUTTONHOLER (ONE-STEP) PRESSER FOOT PLATE (SNAP-ON) COMPL. (1 3/8).
13	381114-451	SPOOL PIN FOR TWIN NEEDLE SEWING (PLASTIC).
14	161172	SEAM & BLINDSTITCH HEM GUIDE COMPL..
15	507909	DARNING & EMBROIDERY FOOT (PLASTIC).
16	381370	PRESSER FOOT FOR TAILOR TACK.
17	161166	PRESSER FOOT (HINGED, ADJUSTABLE FOR SEWING EITHER ON RIGHT OR LEFT SIDE OF NEEDLE) FOR CORDING & SLIDE FASTENERS COMPL..
18	381066	PRESSER FOOT FOR BUTTON SEWING (6 MM BIGHT).
19	161919	PRESSER FOOT PLATE (SNAP-ON) FOR STRAIGHT SEWING (ALTERNATE TO NO. 502277).
20	171460	PRESSER FOOT PLATE (SNAP-ON, SLOTTED) FOR SLANT OVEREDGE & OVEREDGE STRETCH STITCH (6 MM BIGHT).
21	171463	SPECIAL PURPOSE PRESSER FOOT PLATE (SNAP-ON).
22	171110	BLINDSTITCH HEM GUIDE.
23	171466-451	EVEN FEED FOOT (COMPL.) (6 MM BIGHT).
24	381389	ATTACHMENT SET COMPL., PACKED IN ATTACHMENT BOX NO. 171434-900.

From the library of: Diamond Needle Corp

## ELECTRONICS FOR COVERS AND ADD-ONS — 6421

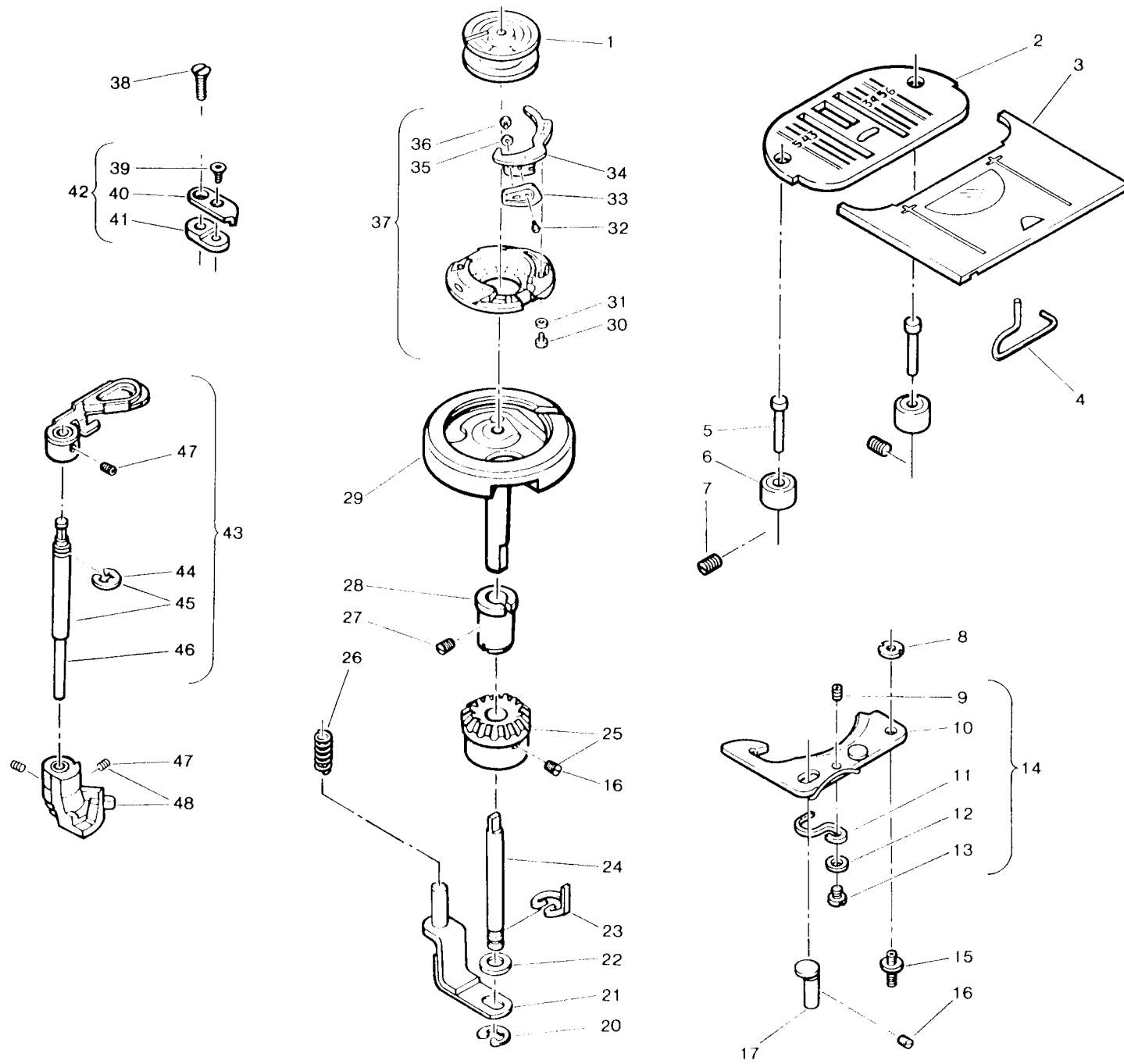
REF.	PART NO.	DESCRIPTION	REF.	PART NO.	DESCRIPTION
01	354203-451	FACE PLATE SCREW (UPPER).	26	383290	L.E.D. HARNESS RETAINING CLIP.
02	381375	CHAIN STITCH ATTACHMENT THREAD GUIDE.	27	383527-451	ARM FRONT COVER SEGMENT W/HARNESS INTERCONNECT AND L.E.D..
03	383420-451	FACE PLATE COMPL..	29	383402	ARM FRONT COVER & SEGMENT BUMPER (RUBBER).
04	382162	FACE PLATE POSITIONING STUD.	30	354090-451	ARM FRONT COVER SEGMENT SCREW.
05	354401-451	FACE PLATE POSITIONING STUD SET SCREW.	31	381874-451	BED (CONVERTIBLE) LID LATCH (PLASTIC).
06	354741-451	FACE PLATE SCREW (LOWER).	32	381877	BED (CONVERTIBLE) LID LATCH SPRING.
07	354030-451	PRE-TENSION SCREW.	33	619491-001	BED (CONVERTIBLE) LID PAD (SELF-ADHESIVE).
08	383151	PRE-TENSION COMPL..	34	381878	BED (CONVERTIBLE) LID POSITIONING BUTTON (PLASTIC).
09	139935-451	THREAD GUIDE (OUTSIDE, BACK OF ARM) SCREW.	35	382741	BED (CONVERTIBLE) LID HINGE PIN.
10	511252-452	THREAD GUIDE (OUTSIDE, BACK OF ARM) (PLASTIC).	36	141860-814	BED (CONVERTIBLE) LID HINGE BRACKET SCREW.
11	163149-004	ARM SPOOL PIN THREAD LEAD-OFF COMPL..	37	182195	BED (CONVERTIBLE) LID LATCH RETAINING RING.
12	163150	ARM SPOOL PIN THREAD LEAD-OFF SPRING CLIP.	38	382740	BED (CONVERTIBLE) LID HINGE BRACKET.
13	382485-451	ARM SPOOL PIN.	39	381876	BED (CONVERTIBLE) LID HINGE SPRING.
14	354491-451	ARM SPOOL PIN HOLDER SCREW.	40	507563	BED (CONVERTIBLE) LID HINGE PIN RETAINING RING.
15	382681-001	ARM TOP COVER GUIDE SCREW STUD.	41	382739-451	BED (CONVERTIBLE) LID.
16	383403-451	ARM TOP COVER.	42	383257-451	BED (CONVERTIBLE) COVER (BOTTOM).
17	354729-451	ARM TOP COVER LATCH SCREW.	43	354678-451	BED (CONVERTIBLE) COVER (BOTTOM) SCREW.
18	383401-451	ARM FRONT COVER.	44	383529-451	BED (CONVERTIBLE) COVER (BOTTOM) ACCESS HOLE PLUG (PLASTIC).
19	141824-814	ARM FRONT COVER RETAINING BRACKET SCREW.	45	382337	BED (CONVERTIBLE) COVER (BOTTOM) CUSHION.
20	383370	ARM FRONT COVER RETAINING BRACKET.	46	141860-814	BED (CONVERTIBLE) COVER (BOTTOM) FASTENING SCREW.
21	383413-451	SPEAKER GRILL (PLASTIC).			
22	383369	ARM FRONT COVER LOCKING STUD.			
23	172556	ARM FRONT COVER SCREW (BOTTOM) WASHER.			
24	354020-451	ARM FRONT COVER SCREW (BOTTOM).			
25	605346-001	HARNESS COMPL. INTERCONNECT W/L.F.D..			

ELECTRONICS FOR CL AND ADD ONS — 6421



From the library of: Diamond Needle Corp.

HOOK AND HOOK DRIVE — 042



From the library of: Diamond Needle Corp



# HOOK AND DRIVE — 042

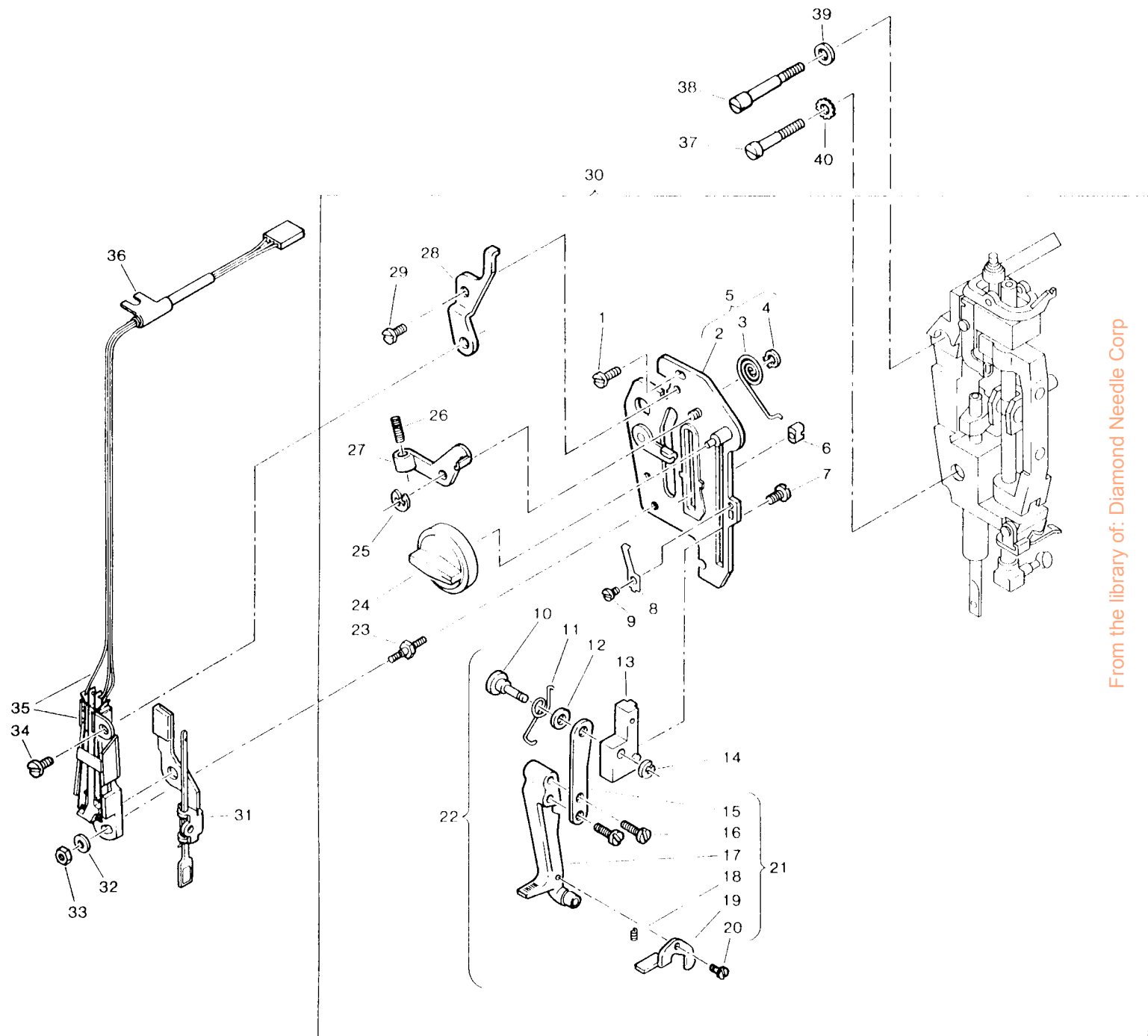
REF.	PART NO.	DESCRIPTION	REF.	PART NO.	DESCRIPTION
01	181551	ROTATING HOOK BOBBIN (PLASTIC).	26	163791	ROTATING HOOK BOBBIN WINDER ACTUATING LEVER SHAFT CAM FOLLOWER SPRING.
02	383339	THROAT PLATE FOR ZIG-ZAG SEWING (181871-900 MACHINED). (6 MM BIGHT).	27	354725-451	ROTATING HOOK FLANGED BUSHING (ECCENTRIC) SET SCREW.
03	383414	BED SLIDE WITH MOLDED PLASTIC WINDOW.	28	383349	ROTATING HOOK FLANGED BUSHING (ECCENTRIC) (383349-900 MACHINED).
04	383121	BED SLIDE STOP.	29	181549	ROTATING HOOK (181549-900 FINISH MACHINED).
05	174256	THROAT PLATE CATCH PIN.	30	139995-452	ROTATING HOOK BOBBIN CASE TENSION SPRING BRACKET SCREW.
06	507196	THROAT PLATE SECURING MAGNET.	31	381694	ROTATING HOOK BOBBIN CASE TENSION SPRING BRACKET SCREW WASHER.
07	354176-451	THROAT PLATE CATCH PIN SCREW.	32	354164-451	ROTATING HOOK BOBBIN CASE TENSION SPRING CLAMPING SCREW.
08	54594-451	ROTATING HOOK BOBBIN CASE POSITION PLATE SCREW NUT.	33	382449	ROTATING HOOK BOBBIN CASE TENSION SPRING.
09	354190-451	ROTATING HOOK BOBBIN CASE POSITION PLATE ADJUSTING SCREW (354190-452 WITH FUSED PLASTIC MATERIAL).	34	181559-001	ROTATING HOOK BOBBIN CASE TENSION SPRING BRACKET.
10	383387	ROTATING HOOK BOBBIN CASE POSITION PLATE.	35	381996	ROTATING HOOK BOBBIN CASE TENSION SPRING REGULATING SCREW FRICTION WASHER (PLASTIC).
11	381884	ROTATING HOOK BOBBIN CASE CUSHION SPRING (381884-900 CLEANED & HARDENED).	36	354299-451	ROTATING HOOK BOBBIN CASE TENSION SPRING REGULATING SCREW.
12	381885-451	ROTATING HOOK BOBBIN CASE CUSHION SPRING WASHER.	37	383386	ROTATING HOOK BOBBIN CASE COMPL.
13	354215-451	ROTATING HOOK BOBBIN CASE CUSHION SPRING SCREW.	38	354148-452	ROTATING HOOK BOBBIN CASE POSITION FINGER SCREW.
14	383388	ROTATING HOOK BOBBIN CASE POSITION PLATE.	39	354149-451	ROTATING HOOK BOBBIN CASE POSITION FINGER ADJUSTING SCREW.
15	354150-452	ROTATING HOOK BOBBIN CASE POSITION PLATE SCREW (354150-451 WITH FUSED PLASTIC MATERIAL).	40	181554	ROTATING HOOK BOBBIN CASE POSITION FINGER.
16	141338-869	ROTATING HOOK BOBBIN CASE POSITION PLATE ADJUSTING STUD (ECCENTRIC) SET SCREW.	41	381665	ROTATING HOOK BOBBIN CASE POSITION FINGER MOUNTING PLATE.
17	383579	ROTATING HOOK BOBBIN CASE POSITION PLATE ADJUSTING STUD (ECCENTRIC).	42	381847	ROTATING HOOK BOBBIN CASE POSITION FINGER.
20	153884	ROTATING HOOK BOBBIN DRIVING SHAFT RETAINING RING.	43	382326	ROTATING HOOK BOBBIN WINDER ACTUATING LEVER.
21	181576	ROTATING HOOK BOBBIN WINDER LIFTING BRACKET.	44	165472	ROTATING HOOK BOBBIN WINDER ACTUATING LEVER SHAFT RETAINING RING.
22	181565	ROTATING HOOK BOBBIN DRIVING SHAFT SPACER (PLASTIC).	45	381960	ROTATING HOOK BOBBIN WINDER ACTUATING LEVER SHAFT.
23	181564	ROTATING HOOK BOBBIN DRIVING SHAFT CLUTCH SPRING (181564-900 TUMBLED).	46	381959	ROTATING HOOK BOBBIN WINDER ACTUATING LEVER SHAFT.
24	181562	ROTATING HOOK BOBBIN DRIVING SHAFT.	47	354247-451	ROTATING HOOK BOBBIN WINDER ACTUATING LEVER SHAFT CAM SET SCREW.
25	382879	ROTATING HOOK BEVEL GEAR (PLASTIC).	48	381958	ROTATING HOOK BOBBIN WINDER ACTUATING LEVER SHAFT CAM.

From the library of the National Needle Company

## HEAD END MODULE — 601

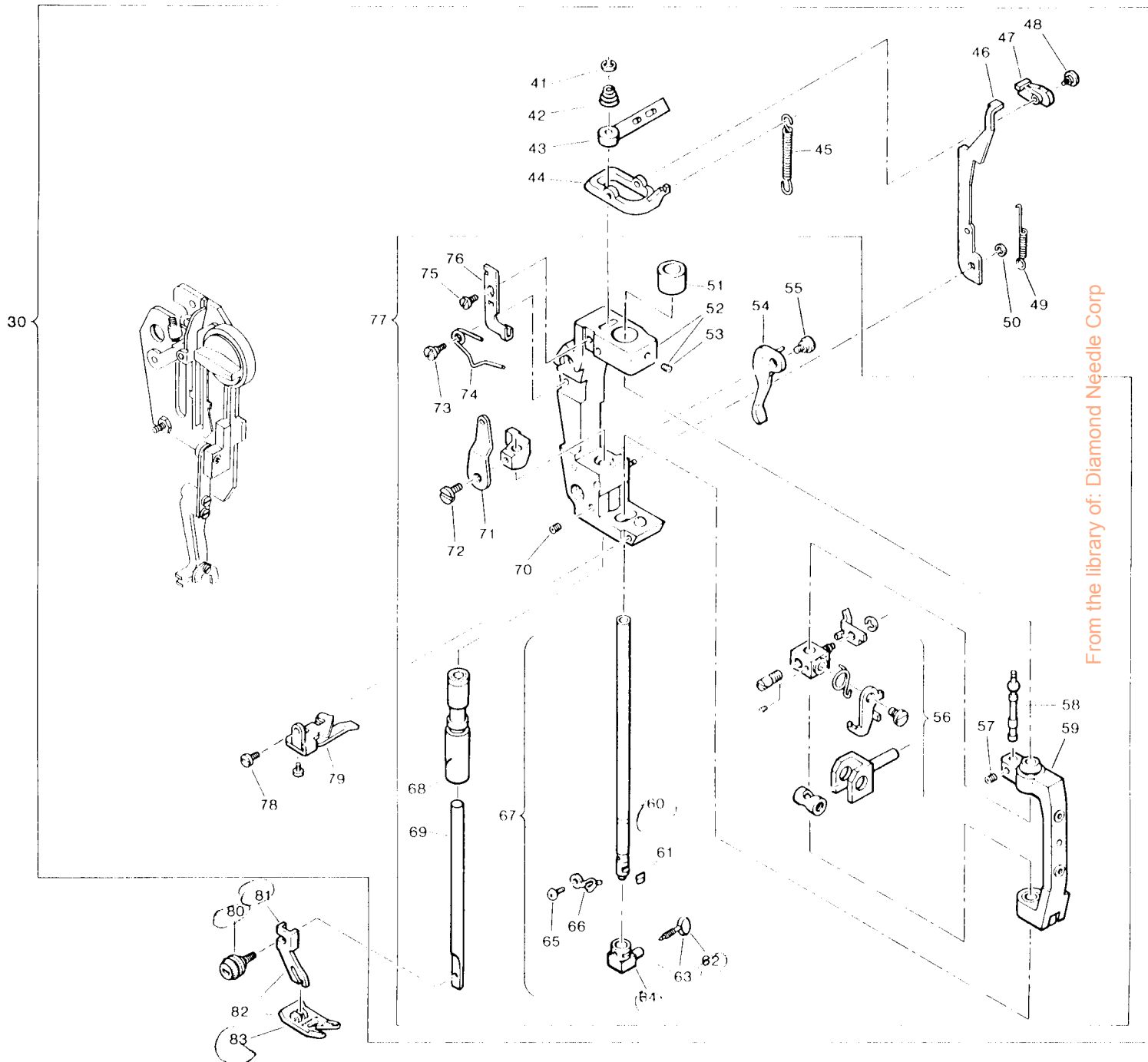
REF.	PART NO.	DESCRIPTION	REF.	PART NO.	DESCRIPTION
01	141824-814	NEEDLE BAR HIGH LIFT RELFASING BRACKET ADJUSTING BRACKET SCREW.	21	383449	NEEDLE THREADER STEM.
02	383358	PRESSER BAR PRESSURE REGULATING DIAL MOUNTING PLATE.	22	383464	NEEDLE THREADER STEM LOCATING BRACKET SLIDE BLOCK.
03	383317	PRESSER BAR SPRING.	23	354585-451	BUTTONHOLER SWITCH SCREW STUD.
04	182150	PRESSER BAR SPRING RETAINING RING.	24	383397-451	PRESSER BAR PRESSURE REGULATING DIAL (PLASTIC, WITH GRAPHICS).
05	383330	PRESSER BAR PRESSURE REGULATING DIAL MOUNTING PLATE.	25	151576	PRESSER BAR PRESSURE REGULATING LEVER RETAINING RING.
06	383363	NEEDLE BAR CLAMPING & GUIDF SCREW SLEEVE (PLASTIC).	26	354046-451	PRESSER BAR PRESSURE REGULATING LEVER ADJUSTING SCREW (354046-452 WITH FUSED PLASTIC MATERIAL).
07	354728-451	NEEDLE THREADER STEM LOCATING BRACKET SLIDE BLOCK SCREW.	27	383361	PRESSER BAR PRESSURE REGULATING LEVER.
08	383444	NEEDLE THREADER STEM LOCATING BRACKET SLIDE BLOCK POSITIONING SPRING.	28	383410	BUTTONHOLER SWITCH MOUNTING BRACKET.
09	354717-451	NEEDLE THREADER STEM LOCATING BRACKET SLIDE BLOCK POSITIONING SPRING SCREW.	29	141824-814	PRESSFR BAR PRESSURE REGULATING DIAL MOUNTING PLATE SCREW.
10	383455	NEEDLE THREADER STEM LOCATING BRACKET HINGE STUD.	30	383328	HEAD END MODULE.
11	383456	NEEDLE THREADER STEM LOCATING BRACKET SPRING.	31	382942	BUTTONHOLER KICK-OUT TRIPPING ROD LEVER.
12	383431	NEEDLE THREADER STEM LOCATING BRACKET HINGE STUD SPRING WASHER.	32	382947	BUTTONHOLER SWITCH SCREW STUD WASHER.
13	383458	NEEDLE THREADER STEM LOCATING BRACKET SLIDE BLOCK (PLASTIC).	33	54600-451	BUTTONHOLER SWITCH SCREW STUD NUT.
14	507563	NEEDLE THREADER STEM LOCATING BRACKET HINGE STUD RETAINING RING.	34	354762-451	BUTTONHOLER SWITCH LOCKING SCREW.
15	383454	NEEDLE THREADER STEM LOCATING BRACKET.	35	605395-001	BUTTONHOLER SWITCH & LEADS ASSEMBLY.
16	354141-452	NEEDLE THREADER STEM SCREW.	36	383405	HARNES GROMMET RETAINING CLIP.
17	383409	NEEDLE THREADER STEM (383409-900 MACHINED).	37	354026-451	NEEDLE BAR VIBRATING BRACKET FRAME SCREW (LOWER).
18	383440	NEEDLE THREADER STEM THREAD CLAMP SPRING.	38	354025-451	NEEDLE BAR VIBRATING BRACKET FRAME POSITIONING & HINGE SCREW (UPPER).
19	383408	NEEDLE THREADER STEM THREAD CLAMP.	39	181860-451	NEEDLE BAR VIBRATING BRACKET FRAME POSITIONING & HINGE SCREW (UPPER) WASHER.
20	354709-451	NEEDLE THREADER STEM THREAD CLAMP SCREW.	40	931055-076	NEEDLE BAR VIBRATING BRACKET FRAME SCREW (LOWER) WASHER.

From the library of: Diamond Needle Co.



From the library of: Diamond Needle Corp

# HEAD END MODULE — 601



From the library of: Diamond Needle Corp

# HEAD END MC LE — 601

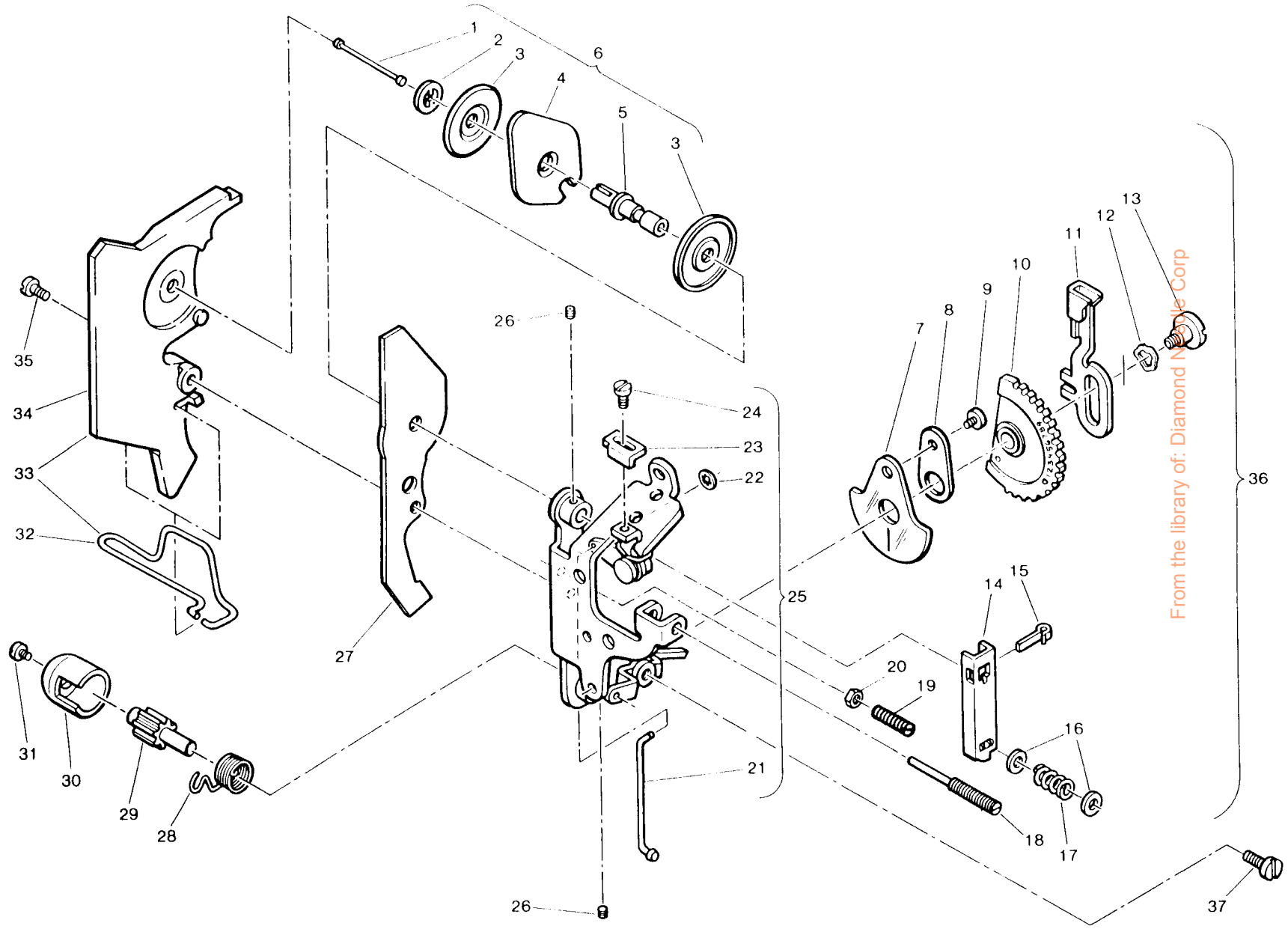
REF.	PART NO.	DESCRIPTION	REF.	PART NO.	DESCRIPTION
41	381726	NEEDLE BAR DRIVING ARM BALL JOINT RETAINING RING.	62	140751-853	NEEDLE THUMB SCREW.
42	382602	NEEDLE BAR DRIVING ARM BALL JOINT SPRING.	63	163123	NEEDLE CLAMP BODY.
43	382600	NEEDLE BAR DRIVING ARM BALL JOINT (PLASTIC).	64	163122	NEEDLE CLAMP BODY.
44	382229	NEEDLE BAR HIGH LIFT RELEASING BRACKET ADJUSTING BRACKET (382229-900 MACHINED).	65	354708-451	NEEDLE CLAMP BODY, NEEDLE CLAMP THREAD GUIDE & NEEDLE STOP SCREW.
45	381586	NEEDLE BAR LIFTING SPRING.	66	163431	NEEDLE CLAMP THREAD GUIDE.
46	383319	NEEDLE BAR HIGH LIFT RELEASING BRACKET.	67	383463	NEEDLE BAR.
47	383061	NEEDLE BAR HIGH LIFT RELEASING BRACKET RETAINER (PLASTIC).	68	181947	PRESSER BAR BUSHING.
48	354618-452	NEEDLE BAR HIGH LIFT RELEASING BRACKET RETAINER SCREW.	69	383097	PRESSER BAR (HOLLOW).
49	383364	NEEDLE BAR HIGH LIFT RELEASING BRACKET SPRING.	70	354186-451	PRESSER BAR BUSHING SET SCREW.
50	14494	NEEDLE BAR LIFTING SPRING RETAINING RING.	71	383318	PRESSER BAR SPRING LEVER GUIDE LINK.
51	382374	NEEDLE BAR VIBRATING BRACKET BUSHING (UPPER) (181666-900 MACHINED).	72	354696-451	PRESSER BAR GUIDE BRACKET SET SCREW & GUIDE LINK HINGE SCREW.
52	383368	NEEDLE BAR VIBRATING BRACKET FRAME.	73	354119-451	NEEDLE BAR RECOIL SPRING SCREW.
53	141891-830	NEEDLE BAR VIBRATING BRACKET BUSHING (UPPER) SET SCREW.	74	383366	NEEDLE BAR RECOIL SPRING.
54	383265	PRESSER BAR LIFTER.	75	354121-451	NEEDLE BAR RECOIL SPRING BRACKET (ADJUSTABLE) SCREW.
55	354010-451	PRESSER BAR LIFTER HINGE SCREW.	76	383367	NEEDLE BAR RECOIL SPRING BRACKET (ADJUSTABLE).
56	383355	NEEDLE BAR LATCH CARRIER COMPL..	77	383329	NEEDLE BAR VIBRATING BRACKET FRAME.
57	354063-451	NEEDLE BAR VIBRATING BRACKET BALL STUD SET SCREW.	78	354160-451	THREAD SNUBBER MOUNTING SCREW.
58	382601	NEEDLE BAR VIBRATING BRACKET BALL STUD (382601-900 MACHINED).	79	382769	THREAD SNUBBER.
59	382071	NEEDLE BAR VIBRATING BRACKET.	80	181919	PRESSER FOOT THUMB SCREW & BOBBIN WINDER THREAD HOLDER.
60	181651	NEEDLE BAR (181651-901 MACHINED).	81	163706	PRESSER FOOT SHANK (SNAP-ON) (163706-902 MACHINED).
61	163822	NEEDLE BAR GIB.	82	382347	PRESSER FOOT (SNAP-ON) COMPL. FOR ZIG-ZAG SEWING (6 MM.).
			83	181688	PRESSER FOOT PLATE (SNAP-ON) FOR ZIG-ZAG SEWING (6 MM.).

From the library of Diamond Needle Corp

## TENSION MODULE — 101

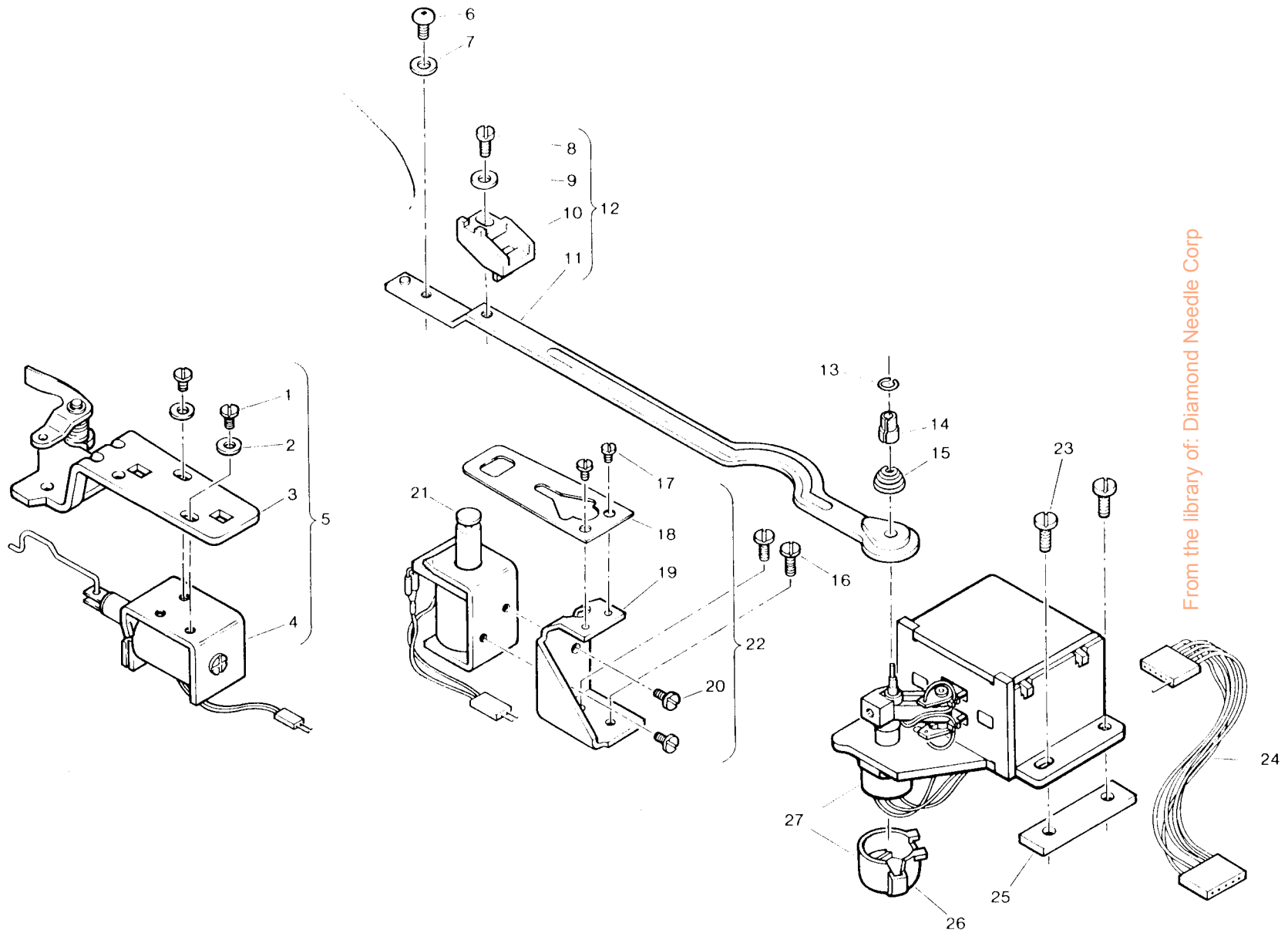
REF.	PART NO.	DESCRIPTION	REF.	PART NO.	DESCRIPTION
01	181857	TENSION DISC PRESSURE PIN (181857-900 PLATED).	20	53637-803	TENSION REGULATING SLIDE POSITIONING SCREW NUT.
02	174398	TENSION DISC PRESSURE PLATE.	21	381582	TENSION RELEASE LEVER CONNECTION (381582-900 HARDENED).
03	382586	TENSION DISC (SMALL).	22	171272	TENSION RELEASE LEVER CONNECTION RETAINING RING.
04	382603	TENSION DISC (LARGE).	23	381719	TENSION RELEASE LEVER ADJUSTING PLATE.
05	382587	TENSION STUD.	24	141862-814	TENSION RELEASE LEVER ADJUSTING PLATE SCREW.
06	382211	TENSION STUD.	25	382079	TENSION MOUNTING BRACKET.
07	182222	TENSION INDICATOR (PLASTIC).	26	354048-451	TENSION STUD SET SCREW.
08	381933	TENSION INDICATOR SPACER.	27	383281-451	TENSION THREAD GUARD (383281-900 PAINTED).
09	141697-814	TENSION INDICATOR SCREW.	28	181872	THREAD TAKE-UP SPRING.
10	383343-451	TENSION INDICATOR DIAL (PLASTIC) (383343-900 WITH GRAPHICS).	29	181875	THREAD TAKE-UP SPRING STUD & POSITION COLLAR.
11	181854	TENSION REGULATING SLIDE.	30	181861-451	THREAD TAKE-UP SPRING CAP & SLACK THREAD REGULATOR (PLASTIC).
12	506479	TENSION INDICATOR DIAL HINGE SCREW FRICTION WASHER.	31	354049-451	THREAD TAKE-UP SPRING ADJUSTING SCREW.
13	354622-451	TENSION INDICATOR DIAL HINGE SCREW.	32	381883	THREAD TAKE-UP SPRING THREAD GUARD BAR (381883-900 HARDENED & TEMPERED).
14	181855	TENSION REGULATING SLIDE PLATE.	33	383283-451	THREAD TAKE-UP SPRING THREAD GUARD.
15	172906	TENSION REGULATING SLIDE PLATE SPRING CLIP.	34	383282-451	THREAD TAKE-UP SPRING THREAD GUARD (PLASTIC).
16	172731	TENSION ADJUSTING SCREW WASHER.	35	354236-451	THREAD TAKE-UP SPRING THREAD GUARD SCREW.
17	181877	TENSION SPRING.	36	383279-451	TENSION MODULE.
18	181873-454	TENSION ADJUSTING SCREW.	37	354419-451	TENSION RELEASE LEVER ACTUATOR HINGE BUSHING SUPPORT SCREW.
19	354167-451	TENSION REGULATING SLIDE POSITIONING SCREW.			

From the library of: Diamond Needle Corp.



From the library of: Diamond Needle Corp

# ELECTRONICS FOR BIGHT DRIVE LINEAR MOTOR — 66



From the library of: Diamond Needle Corp



## ELECTRONICS FOR BIGHT DRIVE LINEAR MOTOR — 66

REF.	PART NO.	DESCRIPTION
01	354121-451	NEEDLE BAR RELEASE SOLENOID MOUNTING SCREW.
02	931868-008	NEEDLE BAR RELEASE SOLENOID MOUNTING SCREW WASHER.
03	383262	NEEDLE BAR RELEASE MECHANISM MOUNTING BRACKET ASSEMBLY.
04	383291	NEEDLE BAR RELEASE SOLENOID ASSEMBLY.
05	383263	NEEDLE BAR RELEASE MECHANISM MOUNTING BRACKET COMPL..
06	354232-451	NEEDLE BAR DRIVING ARM BALL JOINT SCREW.
07	931929-004	NEEDLE BAR DRIVING ARM BALL JOINT SCREW WASHER.
08	354267-451	NEEDLE BAR DRIVING ARM POSITIONING STUD MOUNTING SCREW.
09	931868-008	NEEDLE BAR DRIVING ARM POSITIONING STUD MOUNTING SCREW WASHER.
10	383342	NEEDLE BAR DRIVING ARM POSITIONING STUD (PLASTIC).
11	383308	NEEDLE BAR DRIVING ARM WITH MOLDED PLASTIC SOCKET.
12	383421	NEEDLE BAR DRIVING ARM.
13	383526	NEEDLE BAR DRIVING ARM RETAINING SLEEVE CLAMPING RING.
14	383525	NEEDLE BAR DRIVING ARM RETAINING SLEEVE (PLASTIC).
15	382602	NEEDLE BAR DRIVING ARM FRICTION SPRING.
16	354090-451	NEEDLE BAR DRIVING ARM POSITIONING SOLENOID MOUNTING BRACKET SCREW.
17	354037-451	NEEDLE BAR DRIVING ARM POSITIONING LEVER MOUNTING SCREW.
18	382639	NEEDLE BAR DRIVING ARM POSITIONING LEVER.
19	382935	NEEDLE BAR DRIVING ARM POSITIONING SOLENOID MOUNTING BRACKET.
20	354121-451	NEEDLE BAR DRIVING ARM POSITIONING SOLENOID MOUNTING SCREW.
21	382640	STRAIGHT STITCH SAFETY SOLENOID PLUNGER.
22	382936	NEEDLE BAR DRIVING ARM POSITIONING SOLENOID COMPL..
23	354147-451	BIGHT DRIVE LINEAR MOTOR MOUNTING SCREW.
24	605632-001	HARNESS COMPL. (BIGHT MOTOR TO SERVO P.C. BOARD) (NO. 26 AWG).
25	383452	BIGHT DRIVE LINEAR MOTOR SPACER.
26	382909	BIGHT DRIVE LINEAR MOTOR POTENTIOMETER CAP (PLASTIC).
27	312331	BIGHT DRIVE LINEAR MOTOR ASSEMBLY.

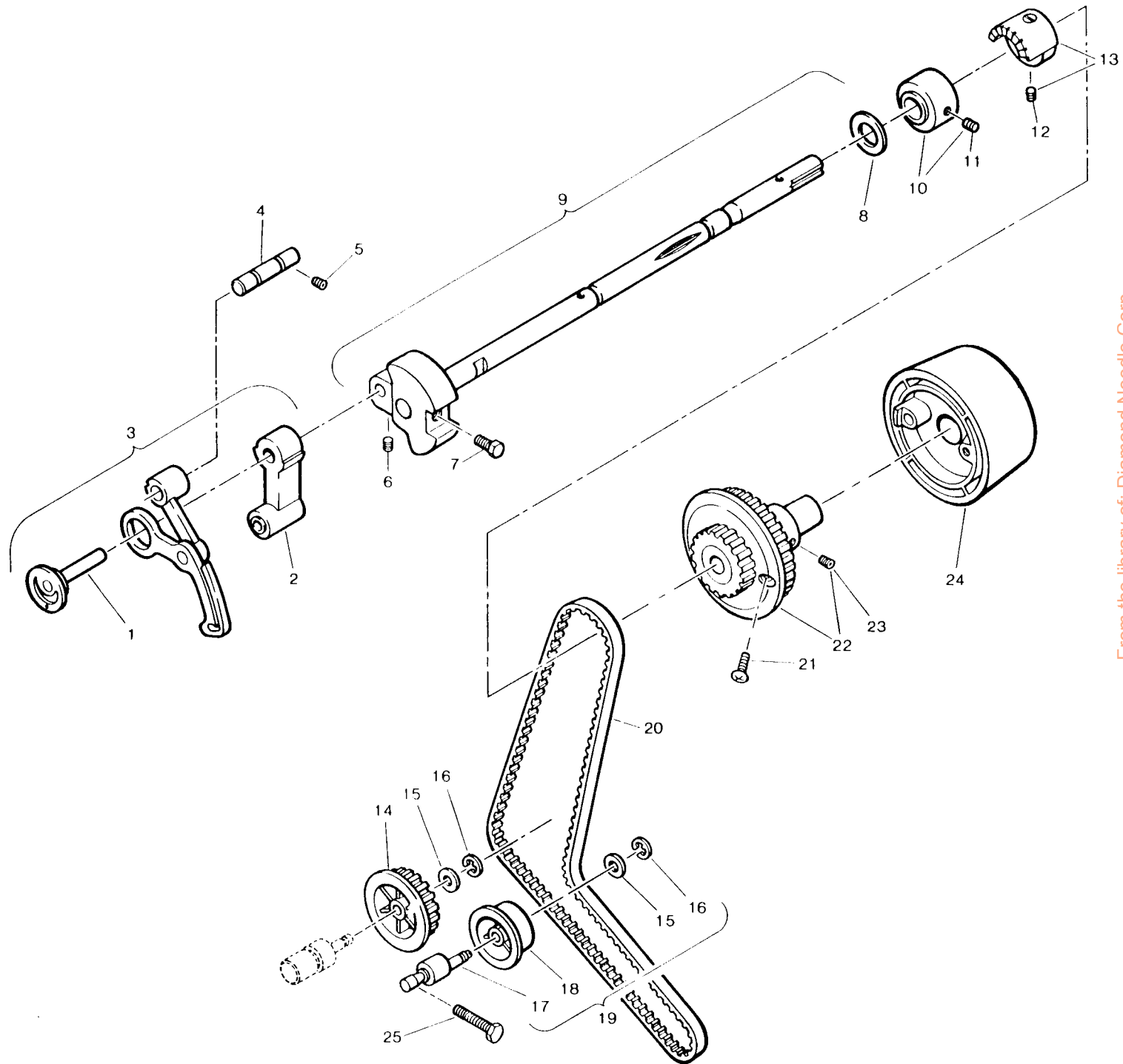
From the library of: Diamond Needle Corp

# NEEDLE BAR DRIVE AND HAND WHEEL — 591

REF.	PART NO.	DESCRIPTION
01	383286	THREAD TAKE-UP CRANK (PLASTIC).
02	383267	NEEDLE BAR CONNECTING LINK (383267-900 MACHINED).
03	383288	THREAD TAKE-UP LEVER.
04	181625	THREAD TAKE-UP LEVER LINK HINGE STUD.
05	354328-451	THREAD TAKE-UP LEVER LINK HINGE STUD SET SCREW.
06	354565-451	THREAD TAKE-UP CRANK SET SCREW.
07	139999-451	NEEDLE BAR CRANK POSITION SCREW.
08	181620	NEEDLE BAR CRANK WASHER (PLASTIC).
09	383234	ARM SHAFT (HORIZONTAL).
10	383252	ARM SHAFT (HORIZONTAL) COLLAR.
11	354565-451	ARM SHAFT (HORIZONTAL) COLLAR SET SCREW.
12	354506-451	SHUNT HOLDER SET SCREW.
13	382784	SHUNT ASSEMBLY.
14	382254	BELT IDLER PULLEY (LARGE, PLASTIC).
15	382787	BELT IDLER PULLEY (SMALL) THRUST WASHER.
16	151576	BELT IDLER PULLEY (SMALL) RETAINING RING.
17	382256	BELT IDLER PULLEY (SMALL) STUD (ECCENTRIC).
18	382255	BELT IDLER PULLEY (SMALL, PLASTIC).
19	382632	BELT IDLER PULLEY (SMALL) STUD (ECCENTRIC).
20	181732	BELT (ROTATING HOOK DRIVE).
21	354317-451	HAND WHEEL SCREW.
22	382320	HAND WHEEL PULLEY.
23	354201-451	HAND WHEEL PULLEY SET SCREW.
24	382319-454	HAND WHEEL.
25	354731-451	BELT IDLER PULLEY (SMALL) STUD (ECCENTRIC) SCREW.

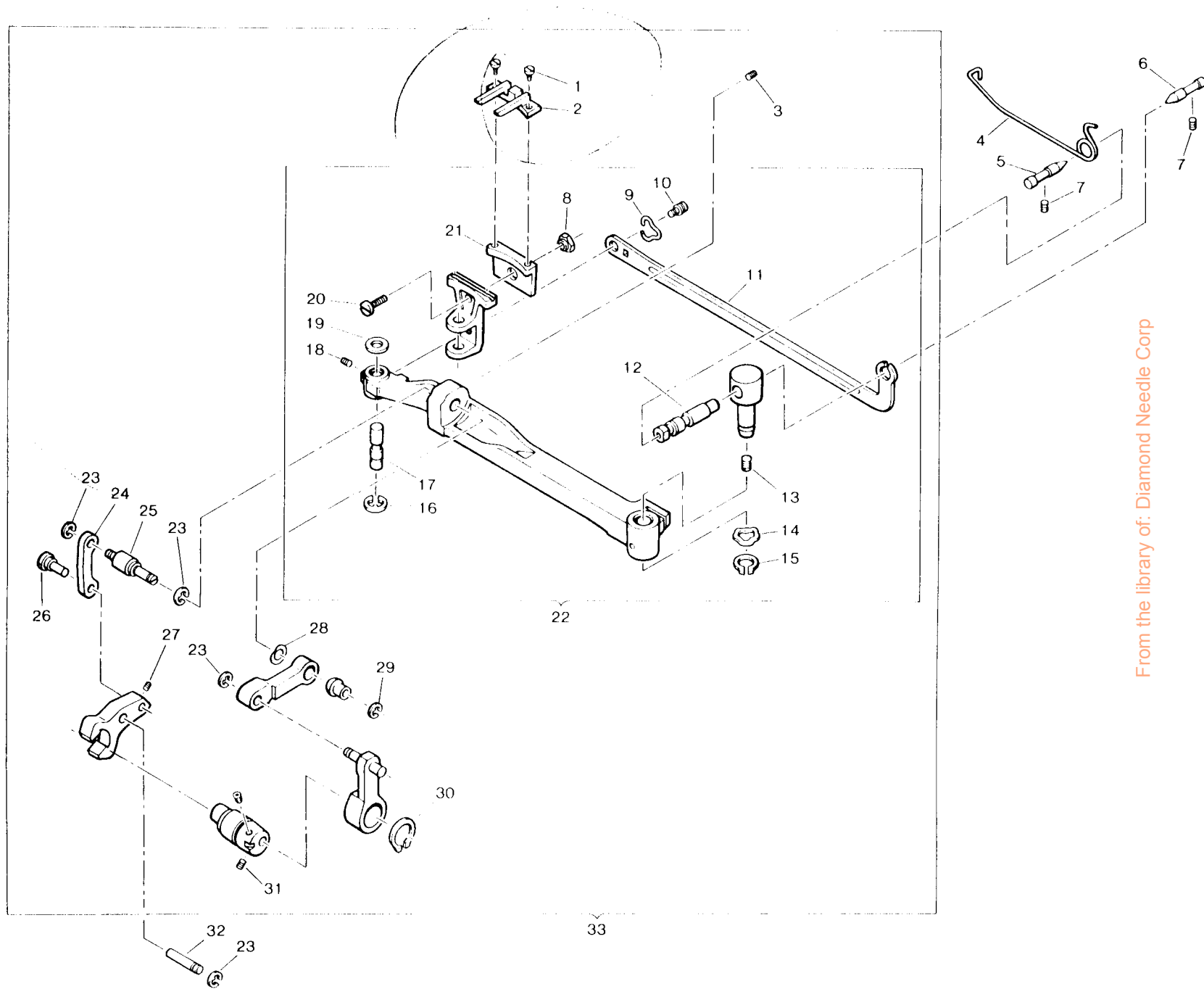
From the library of: Diamond Needle Corp

# NEEDLE BAR DRIVE AND HAND WHEEL — 591



From the library of: Diamond Needle Corp

FEED DRIVE MECHANISM — 053



From the library of: Diamond Needle Corp

# FEED DRIVE MECHANISM — 053

REF.	PART NO.	DESCRIPTION	REF.	PART NO.	DESCRIPTION
01	<del>354719-451</del> N.L.A.	FEED DOG SCREW. 141920819	17	174217	FEED DOG HOLDER STUD.
02	383334	FEED DOG (383334-900 WITH URETHANE COATING).	18	139878-869	FEED DOG HOLDER STUD SET SCREW.
03	141812-451	FEED BAR CONNECTION & FEED LIFTING FORK CONNECTION HINGE STUD (ECCENTRIC) SET SCREW.	19	174251	FEED DOG HOLDER WASHER.
04	182239	FEED BAR SPRING.	20	354724-451	FEED DOG HOLDER BRACKET SCREW.
05	182199	FEED BAR PIVOT HINGE STUD ADJUSTING PIN (ECCENTRIC) CENTER (FRONT).	21	383430	FEED DOG HOLDER BRACKET (383430-900 MACHINED).
06	382722	FEED BAR PIVOT HINGE STUD ADJUSTING PIN (ECCENTRIC) CENTER (BACK).	22	383280	FEED BAR ASSEMBLY.
07	354163-451	FEED BAR PIVOT HINGE STUD ADJUSTING PIN (ECCENTRIC) CENTER (BACK) SET SCREW.	23	163562	FEED BAR CONNECTION & FEED LIFTING FORK CONNECTION HINGE STUD (ECCENTRIC) RETAINING RING.
08	179749-451	FEED DOG HOLDER BRACKET SCREW NUT.	24	511016	FEED LIFTING FORK CONNECTION.
09	511075	FEED DOG HOLDER COMPENSATING LINK RETAINING SPRING.	25	174247	FEED BAR CONNECTION & FEED LIFTING FORK CONNECTION HINGE STUD (ECCENTRIC).
10	141827-803	FEED DOG HOLDER COMPENSATING LINK SCREW STUD.	26	174220	FEED LIFTING FORK CONNECTION HINGE STUD (ECCENTRIC).
11	174216	FEED DOG HOLDER COMPENSATING LINK (174216-900 HARDENED & WITH BLACK OXIDE FINISH).	27	141802-869	FEED LIFTING FORK CONNECTION HINGE STUD (ECCENTRIC) SET SCREW.
12	381833	FEED BAR PIVOT HINGE STUD ADJUSTING PIN (ECCENTRIC) (174249-900 MACHINED).	28	172947	FEED BAR CONNECTION & FEED LIFTING FORK CONNECTION HINGE STUD (ECCENTRIC) SPRING WASHER.
13	141801-451	FEED BAR PIVOT HINGE STUD LOCK SCREW.	29	151576	FEED BAR CONNECTION RETAINING RING (LEFT).
14	511211	FEED BAR PIVOT HINGE STUD SPRING WASHER.	30	174277	FEED REGULATOR SLIDE BLOCK DRIVE CONNECTION RETAINING RING.
15	172876	FEED BAR PIVOT HINGE STUD RETAINING RING.	31	141802-869	FEED LIFTING CAM & FEED ECCENTRIC SET SCREW.
16	163562	FEED DOG HOLDER STUD RETAINING RING.	32	511057	FEED LIFTING FORK HINGE STUD.
			33	383335	FEED BAR COMPL..

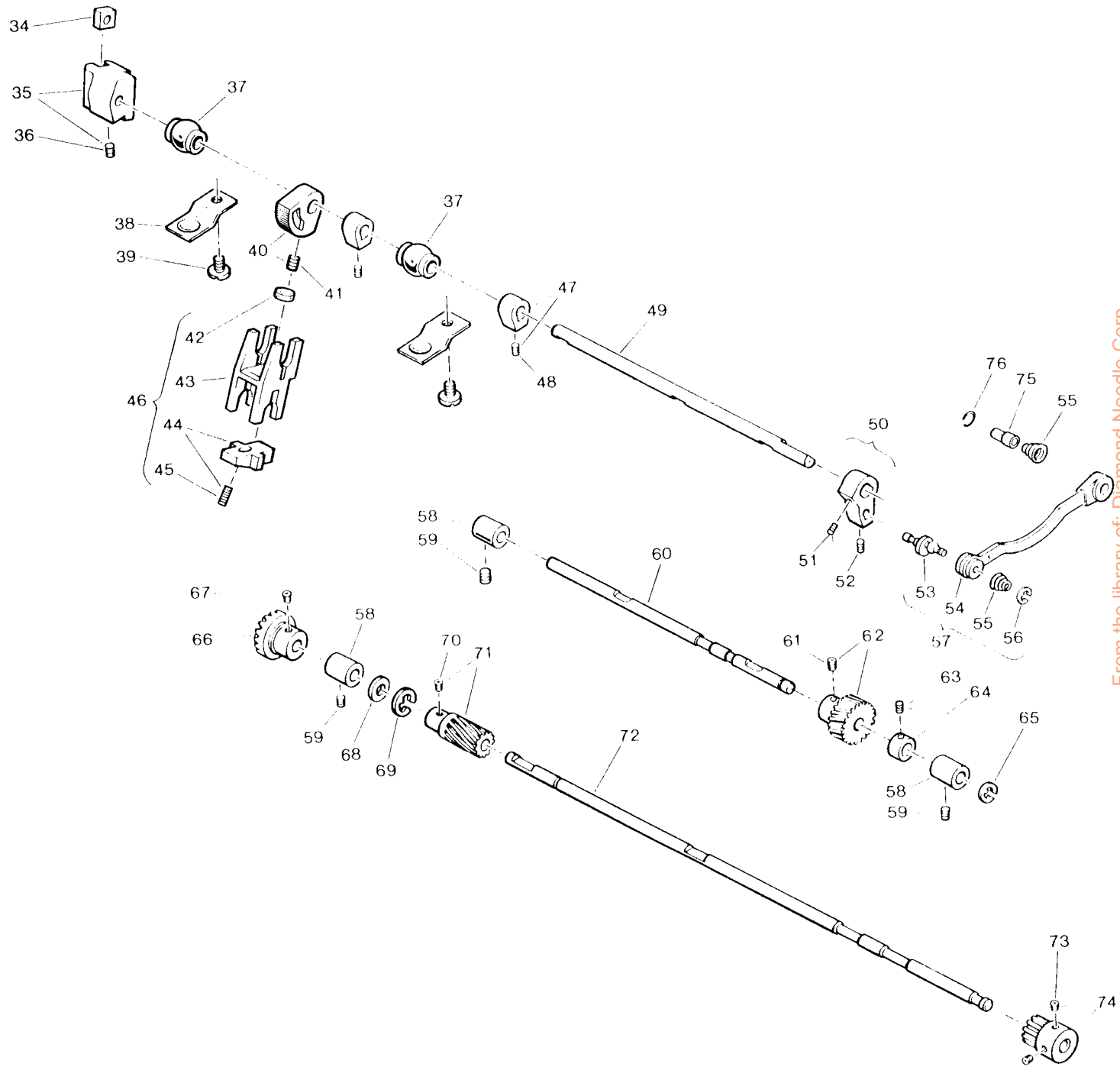
From the library of Diapold Needle Corp

## FEED DRIVE MECHANISM — 053

REF.	PART NO.	DESCRIPTION	REF.	PART NO.	DESCRIPTION
34	511030	FEED REGULATOR SLIDE BLOCK.	55	382602	FEED REGULATOR SHAFT CRANK CONNECTING LINK FRICTION SPRING (FRONT).
35	382918	FEED REGULATOR.	56	381726	FEED REGULATOR SHAFT CRANK CONNECTING LINK RETAINING RING (FRONT).
36	141818-869	FEED REGULATOR SET SCREW.	57	383278	FEED REGULATOR SHAFT CRANK CONNECTING LINK.
37	383258	FEED REGULATOR SHAFT BUSHING (SELF-ALIGNING).	58	383011	FEED DRIVE SHAFT BUSHING (LEFT & RIGHT).
38	383259	FEED REGULATOR SHAFT BUSHING CLAMP.	59	139878-869	FEED DRIVE SHAFT BUSHING (LEFT & RIGHT) SET SCREW.
39	354121-451	FEED REGULATOR SHAFT BUSHING CLAMP SCREW.	60	383028	FEED DRIVE SHAFT.
40	383079	FEED REGULATOR SHAFT BRAKE.	61	141338-869	FEED DRIVE SHAFT GEAR (HELICAL, PLASTIC) SET SCREW.
41	354660-451	FEED REGULATOR SHAFT BRAKE SET SCREW.	62	383273	FEED DRIVE SHAFT GEAR (HELICAL, PLASTIC).
42	383084	FEED REGULATOR SHAFT BRAKE GUIDE FRICTION PAD.	63	141802-869	FEED DRIVE SHAFT RETAINING COLLAR SET SCREW.
43	383082	FEED REGULATOR SHAFT BRAKE GUIDE (PLASTIC).	64	174235	FEED DRIVE SHAFT RETAINING COLLAR WITH SCREW.
44	383130	FEED REGULATOR SHAFT BRAKE ADJUSTING BLOCK.	65	163562	FEED DRIVE SHAFT RETAINING RING.
45	354643-451	FEED REGULATOR SHAFT BRAKE ADJUSTING BLOCK SET SCREW.	66	382877	ROTATING HOOK DRIVE SHAFT BEVEL GEAR (PLASTIC).
46	383594	FEED REGULATOR SHAFT BRAKE GUIDE.	67	141338-869	ROTATING HOOK DRIVE SHAFT BEVEL GEAR (PLASTIC) SET SCREW.
47	181900	FEED REGULATOR SHAFT COLLAR.	68	181957-451	ROTATING HOOK DRIVE SHAFT THRUST WASHER.
48	141802-869	FEED REGULATOR SHAFT COLLAR SET SCREW.	69	163562	ROTATING HOOK DRIVE SHAFT THRUST WASHER RETAINING RING.
49	383275	FEED REGULATOR SHAFT.	70	141772-869	FEED DRIVE SHAFT DRIVING GEAR (HELICAL, PLASTIC) SET SCREW.
50	382296-001	FEED REGULATOR SHAFT CRANK.	71	174488	FEED DRIVE SHAFT DRIVING GEAR (HELICAL, PLASTIC).
51	139878-869	FEED REGULATOR SHAFT CRANK SET SCREW.	72	181579	ROTATING HOOK DRIVE SHAFT (181579-900 MACHINED).
52	354575-451	FEED REGULATOR SHAFT CRANK HINGE STUD (ECCENTRIC) SET SCREW.	73	141338-869	ROTATING HOOK DRIVE SHAFT BELT PULLEY SET SCREW.
53	382894	FEED REGULATOR SHAFT CRANK HINGE STUD (ECCENTRIC).	74	174282-001	ROTATING HOOK DRIVE SHAFT BELT PULLEY.
54	383277	FEED REGULATOR SHAFT CRANK CONNECTING LINK WITH MOLDED PLASTIC SOCKET.	75	383525	FEED REGULATOR SHAFT CRANK CONNECTING LINK RETAINING SLEEVE (BACK) (PLASTIC).
			76	383526	FEED REGULATOR SHAFT CRANK CONNECTING LINK RETAINING SLEEVE (BACK) CLAMPING RING.

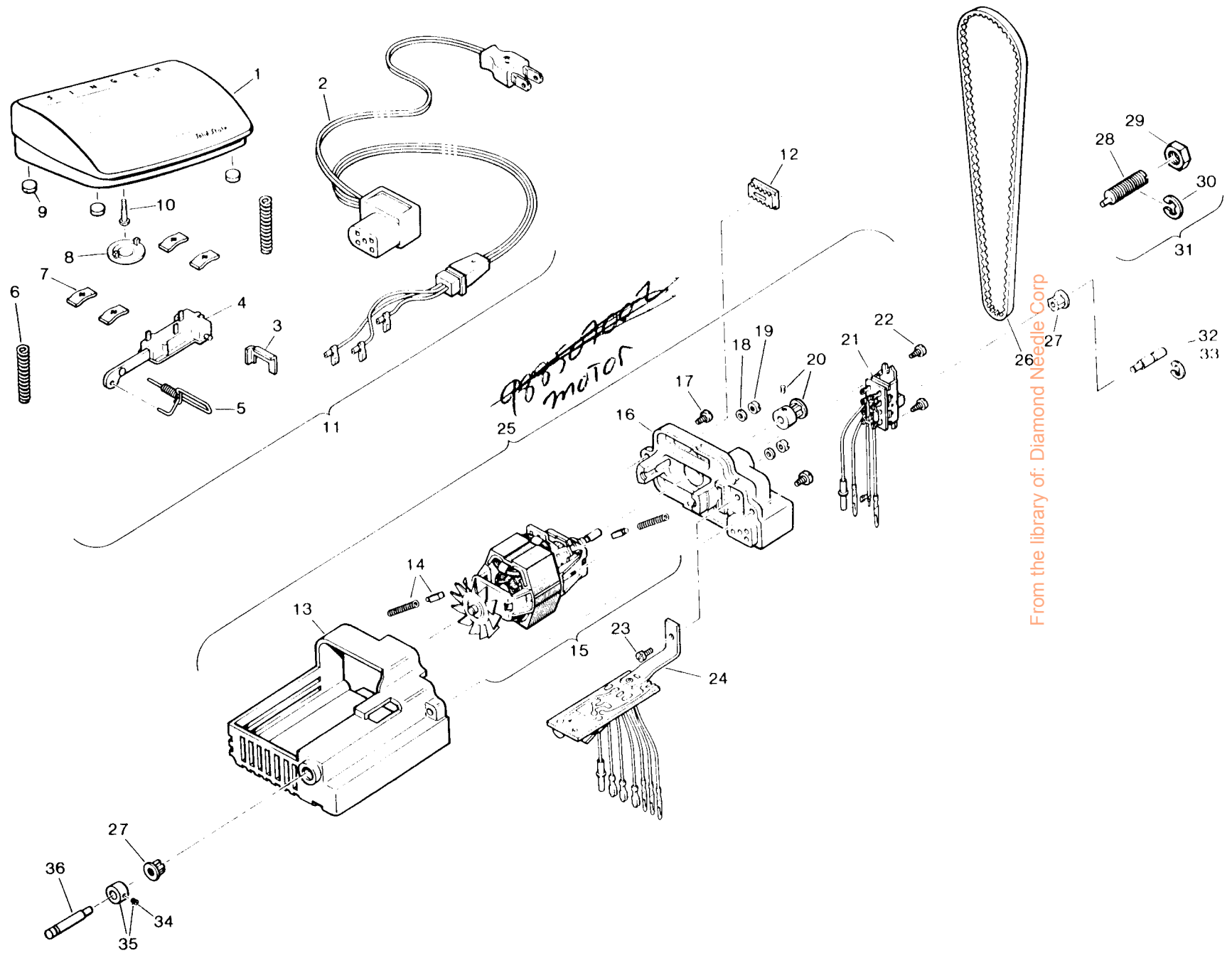
From the library of Dr. J. M. Needles, Jr.

FEED DRIVE M. HANISM — 053



From the library of: Diamond Needle Corp

ELECTRICAL EQUIPMENT (110-120 VOLTS) — 6321





ELECTRICAL EQUIPMENT ( . J-120 VOLTS) — 6321

- 01 619489-003 BASE & PEDAL ASSEMBLED.
- 02 604278-001 CORD COMPL..
- 03 618813-001 STRAIN RELIEF CLIP.
- 04 604173-002 STRAIGHT LINE POTENTIOMETER.
- 05 619184-001 ACTUATING LEVER WITH TORSION SPRING.
- 06 618542-001 PEDAL RETURN SPRING.
- 07 618538-002 PUSH-ON NUT.
- 08 619492-001 SNAP-ON PLUG.
- 09 619491-001 RUBBER FEET.
- 10 619192-001 SHOULDER SCREW.
- 11 604280-001 CONTROLLER COMPLETE (CAT. NO. 508).
- 12 604228-001 MOTOR ADJUSTING BLOCK.
- 13 605173-001 COVER.
- 14 619434-002 BRUSH WITH SPRING.
- 15 605130-001 MOTOR MODULE.
- 16 605115-003 COMMUTATOR END HOUSING W/NAME PLATE.
- 17 618634-008 SELF TAPPING SCREW (COVER).
- 18 604018-001 WASHER.
- 19 603907-002 NUT.
- 20 604431-002 PULLEY COMPLETE W/SET SCREWS.
- 21 604783-001 SWITCH COMPLETE.
- 22 618634-004 SELF TAPPING SCREW (SWITCH).
- 23 618634-004 SELF TAPPING SCREW.
- 24 604787-001 CIRCUIT BOARD ASSEMBLY. *PC BOARD - 4788022001*
- 25 605129-001 MOTOR COMPLETE (CAT. NO. RA15-8).
- 26 603975-002 BELT MOTOR.
- 27 604229-001 BUSHING.
- 28 182009 MOTOR ADJUSTING STUD (ECCENTRIC).
- 29 54585-451 MOTOR ADJUSTING STUD (ECCENTRIC) JAM NUT.
- 30 151525 MOTOR ADJUSTING STUD (ECCENTRIC) RETAINING RING.
- 31 382482 MOTOR ADJUSTING STUD (ECCENTRIC).
- 32 382367 MOTOR HINGE PIN (RIGHT).
- 33 151527 MOTOR HINGE PIN (RIGHT) RETAINING RING.
- 34 141802-869 MOTOR HINGE PIN (LEFT) COLLAR SET SCREW.
- 35 381867 MOTOR HINGE PIN (LEFT) COLLAR.
- 36 381691 MOTOR HINGE PIN (LEFT).

*fused cap  
605477-001*

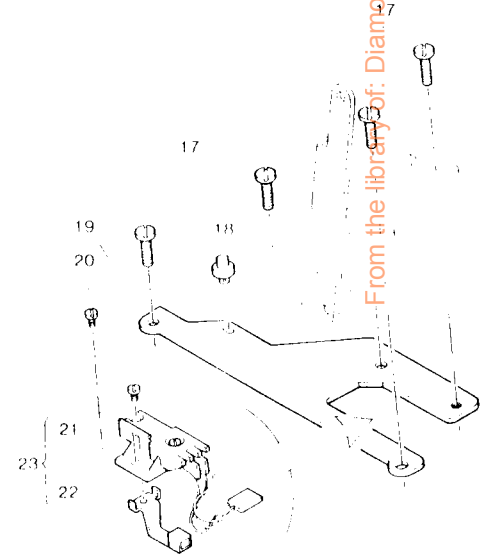
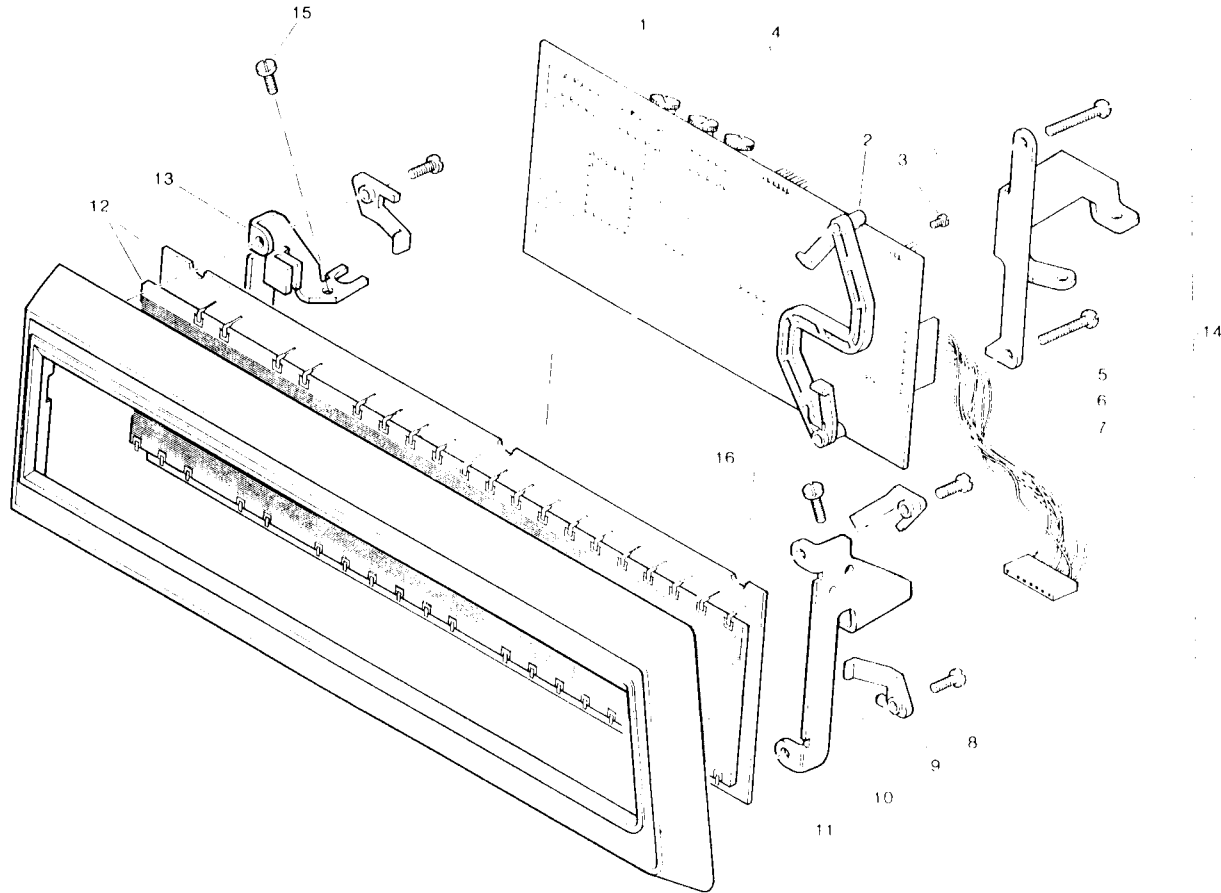
From the library of: Diamond Needle Corp

## ELECTRONICS FOR LOGIC ELECTRICS AND CONTROL — 6

REF.	PART NO.	DESCRIPTION
01	605324-005	LOGIC BOARD ASSEMBLY.
02	383432	TOUCH PANEL RETAINER AND LOGIC BOARD SPACER.
03	354735-451	LOGIC BOARD SPACER FASTENING SCREW.
04	605402-001	LOGIC BOARD COMPLETE W/SPACER.
05	354768-451	CENTER BRACKET SCREW.
06	383390	PATTERN SELECTION CARRIER MOUNTING BRACKET (CENTER).
07	605300-001	HARNESS COMPL. TOUCH PANEL-LOGIC BOARD.
08	354767-451	LEFT & RIGHT BRACKET SCREW.
09	383418	TOUCH PANEL RETAINING CLIP.
10	383392	PATTERN SELECTION CARRIER MOUNTING BRACKET (RIGHT).
11	383331	PATTERN SELECTION CARRIER.
12	605456-001	TOUCH PANEL ASSEMBLY.
13	383488	PATTERN SELECTION CARRIER MOUNTING BRACKET W/SUPPORT BLOCK.
14	383513	TOUCH PANEL COMPLETE.
15	354147-451	PATTERN SELECTION CARRIER MOUNTING BRACKET (LEFT) SCREW.
16	354090-451	PATTERN SELECTION CARRIER MOUNTING BRACKET (RIGHT) SCREW.
17	354756-451	SENSOR & MAGNET HOLDING BLOCK MOUNTING BRACKET SCREW.
18	383407	BASTING STITCH SOLENOID SUPPORT (PLASTIC).
19	383393	SENSOR & MAGNET HOLDING BLOCK.
20	354724-451	SENSOR & MAGNET HOLDING BLOCK FASTENING SCREW.
21	354049-451	MAGNET MOUNTING BRACKET SCREW.
22	604813	MAGNET MOUNTING BRACKET.
23	383518	MAGNET WITH SENSOR SWITCH HARNESS AND BRACKET.

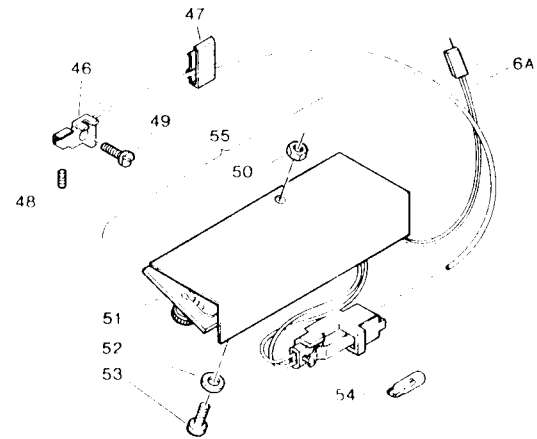
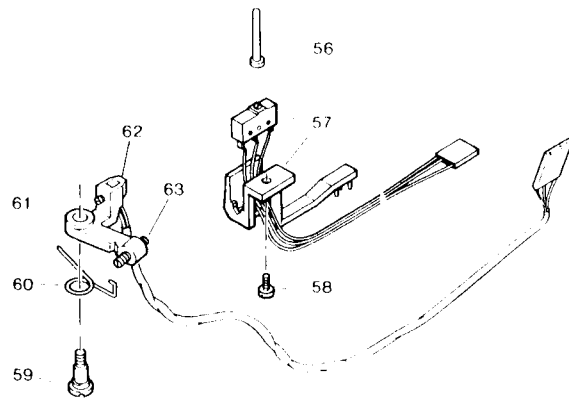
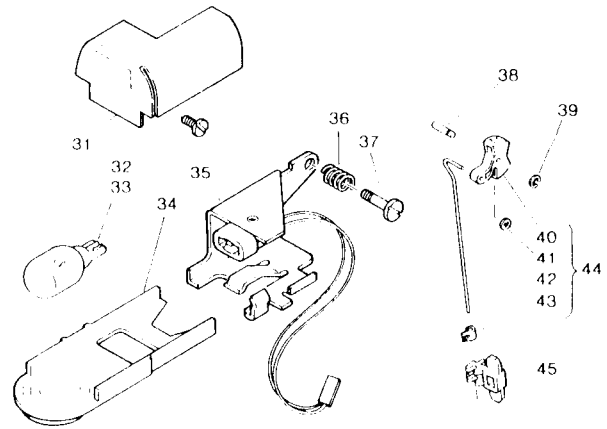
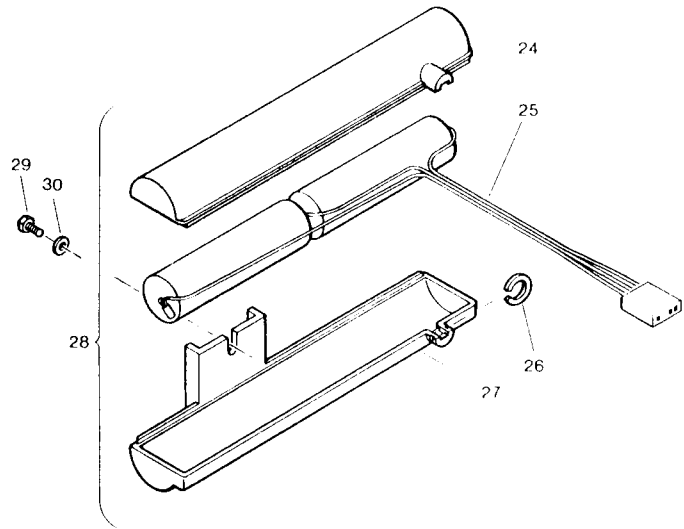
From the library of: Diamond Needle Corp

2001



From the library of: Diamond Needle Corp

ELECTRONICS FOR LOGIC ELECTRICS AND CONTROL — 6



From the library of: Diamond Needle Corp

## ELECTRONICS FOR LOGIC ELECTRICS AND CONTROL — 6

REF.	PART NO.	DESCRIPTION	REF.	PART NO.	DESCRIPTION
24	382684	CAPACITOR HOUSING (UPPER).	45	382382	LIGHT SWITCH ACTUATING BRACKET (PLASTIC).
25	605335-001	HARNESS W/CAPACITORS.	46	383417	LIGHT ROD WITH HOLDER.
26	151545	CAPACITOR HOUSING CLAMPING RING.	47	383500	LIGHT ROD CLIP.
27	382683	CAPACITOR HOUSING (LOWER).	48	354720-451	LIGHT ROD HOLDER ADJUSTING SCREW.
28	605336-001	CAPACITOR W/HARNESS & HOUSING ASSEMBLY.	49	354734-451	LIGHT ROD MOUNTING SCREW.
29	354550-451	CAPACITOR HOUSING MOUNTING SCREW.	50	514674-451	CIRCUIT BOARD SCREW NUT.
30	931868-027	CAPACITOR HOUSING MOUNTING SCREW WASHER.	51	605323-002	LOW BOBBIN THREAD INDICATOR BOARD ASSEMBLY.
31	605279-001	LIGHT SHIELD.	52	383508	CIRCUIT BOARD SCREW LOCK WASHER.
32	354090-451	LIGHT SHIELD SCREW.	53	354724-451	CIRCUIT BOARD SCREW.
33	605282-002	LAMP.	54	605271-001	BOBBIN RUNOUT LAMP-WEDGE BASE.
34	605283-001	LIGHT LENS.	55	605322-004	LOW BOBBIN THREAD INDICATOR BOARD W/CLIP COMPLETE.
35	605281-001	LIGHT COMPLETE W/BRACKET X605280-901 PURCHASED FROM LEECRAFT MFG CO.	56	382778	STRAIGHT STITCH SAFETY SWITCH ACTUATING PLUNGER (PLASTIC) (IN BED).
36	603987-001	LIGHT BRACKET SPRING.	57	605658-001	STRAIGHT STITCH SAFETY SWITCH HARNESS & MOUNTING BRACKET.
37	619407-003	LIGHT BRACKET MOUNTING SCREW.	58	141824-814	STRAIGHT STITCH SAFETY SWITCH BRACKET SCREW.
38	182046	LIGHT SWITCH ACTUATING ROCKER BUTTON PIN.	59	354712-451	LIGHT SENSOR HOLDER MOUNTING SCREW.
39	14494	LIGHT SWITCH ACTUATING ROCKER BUTTON RETAINING RING.	6A	605342-001	HARNESS COMPL. LOW BOBBIN THREAD INDICATING BOARD TO INTERCONNECT.
40	182048-453	LIGHT SWITCH ACTUATING ROCKER BUTTON (PLASTIC).	60	383427	LIGHT SENSOR HOLDER SPRING.
41	381513	LIGHT SWITCH ACTUATING ROD RETAINING RING.	61	354722-451	LIGHT SENSOR SET SCREW.
42	381511	LIGHT SWITCH ACTUATING ROD.	62	383514	LIGHT SENSOR HOLDER ASSEMBLY.
43	382330	LIGHT SWITCH ACTUATING BRACKET SPRING CLIP.	63	354721-451	LIGHT SENSOR HOLDER ADJUSTING SCREW.
44	381512-453	LIGHT SWITCH ACTUATING ROCKER BUTTON.			

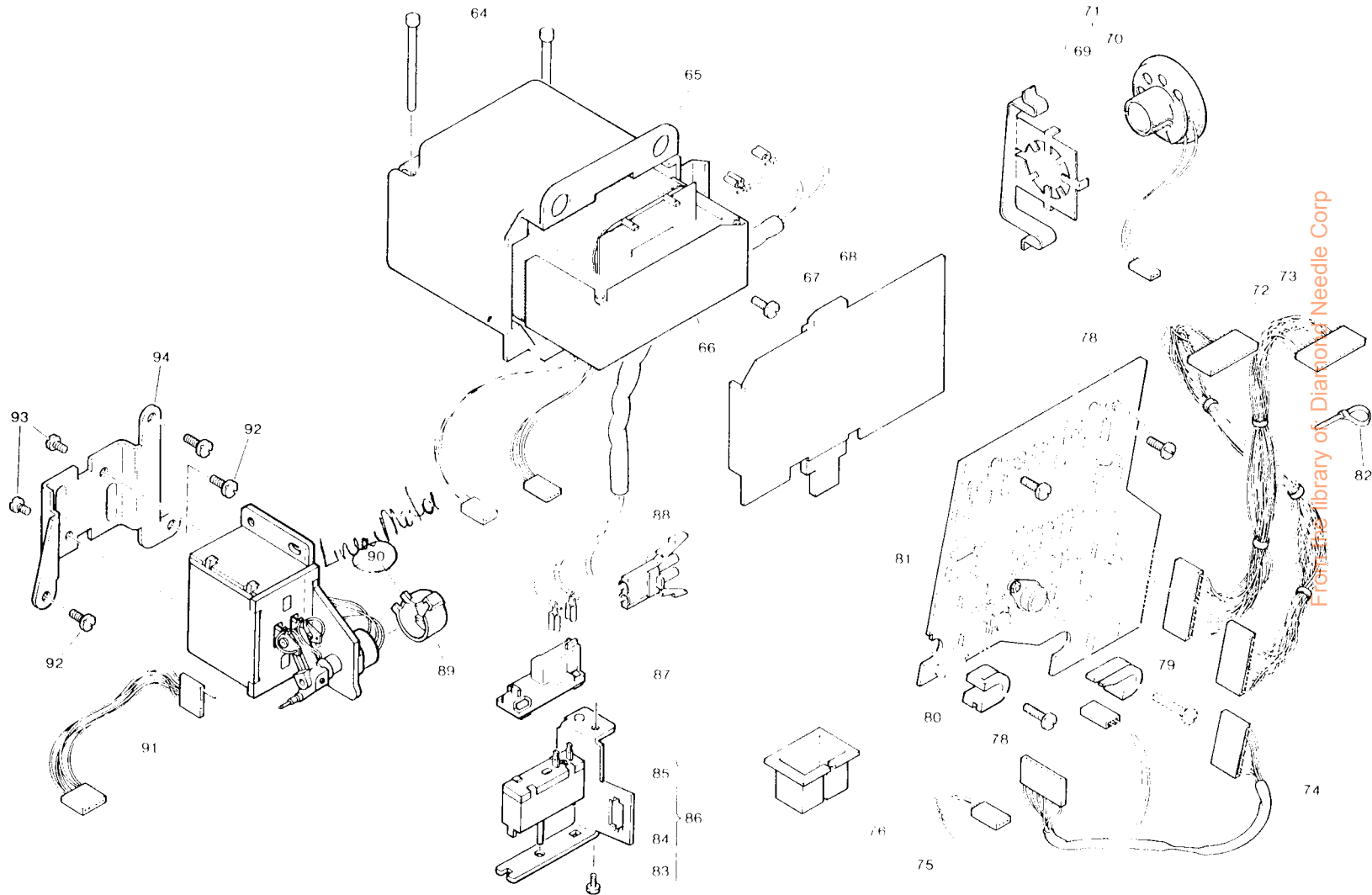
From the library of: Diamond Needle Corp

## ELECTRONICS FOR LOGIC ELECTRICS AND CONTROL — 6

REF.	PART NO.	DESCRIPTION
64	382896	TRANSFORMER RETAINING PIN (PLASTIC).
65	383294	TRANSFORMER HOUSING (PLASTIC).
66	605375-001	TRANSFORMER W/CONNECTORS.
67	354090-451	TRANSFORMER MOUNTING SCREW.
68	383295	TRANSFORMER RETAINER (PLASTIC).
69	383561	SPEAKER BRACKET.
70	605339-001	SPEAKER W/HARNESS COMPLETE.
71	383578	SPEAKER W/HARNESS & BRACKET.
72	605301-001	HARNESS COMPL. LOGIC BOARD-SERVO BOARD.
73	605298-001	HARNESS COMPL. TOUCH PANEL BOARD/POWER-SERVO BOARD.
74	605299-001	HARNESS COMPL. BOBBIN ALARM BOARD/POWER-SERVO.
75	605630-002	HARNESS COMPLETE LOGIC TO SERVO BOARD.
76	604537-001	GROMMET (PLASTIC).
78	354147-451	POWER SERVO BOARD MOUNTING SCREW.
79	605362-001	POWER SERVO BOARD SPACER (LOWER, PLASTIC).
80	605363-001	POWER SERVO BOARD SPACER (UPPER, PLASTIC).
81	605326-002	POWER SERVO BOARD ASSEMBLY.
82	605600-001	CABLE TIE WRAP (PLASTIC).
83	354529-451	BRACKET MOUNTING SCREW.
84	604494-001	MOUNTING BRACKET.
85	605522-001	CIRCUIT BREAKER.
86	604493-001	CIRCUIT BREAKER WITH BRACKET.
87	604510-001	CIRCUIT BREAKER COVER.
88	605388-001	HARNESS TRANSFORMER.
89	382909	FEED DRIVE LINEAR MOTOR POTENTIOMETER CAP (PLASTIC).
90	383212	FEED DRIVE LINEAR MOTOR ASSEMBLY.
91	605632-001	HARNESS COMPL. (FEED MOTOR TO SERVO P.C. BOARD) (NO. 26 AWG).
92	354090-451	FEED DRIVE LINEAR MOTOR MOUNTING BRACKET SCREW.
93	354538-451	FEED DRIVE LINEAR MOTOR MOUNTING SCREW.
94	382285	FEED DRIVE LINEAR MOTOR MOUNTING BRACKET.

From the library of: Diamond Needle Corp

ELECTRONICS FOR LOGIC EL .CS AND CONTROL — 6



From the library of Diamond Needle Corp